

ASM-MN-214

Chassis for Short Range Modems



High density 19-inch modem rack

- Any combination of up to 14 modem cards
- Fiber optic and copper wire modems in a single modem rack
- Hot swapping of cards and power supplies
- Optional power feeding from different sources (AC or DC)
- Separate power supplies for full redundancy

ASM-MN-214 is a 19", 4U high, rack-mount chassis for short range modems. The chassis accommodates up to 14 cards, and supports more than 20 different types of cards.

Any combination of modem cards can be installed. Cards can be removed or inserted during operation without interference to operation of other cards.

Operating over 2-wire, 4-wire or fiber optic, baseband modems support data rates from 300 bps to 2.048 Mbps. ASM-MN-214 provides a cost effective and reliable concentration point for multiple baseband links supporting last mile or campus applications.



ASM-MN-214

Chassis for Short Range Modems

ASM-MN-214 can be powered from either AC or DC power sources, or from both. Each power supply supports a full rack of cards, regardless of type. The chassis accommodates two separate power supplies that back up each other in case of failure. Each power supply can be replaced during operation without affecting the operation of other modems (hot swapping).

The ASM-MN-214 rear panel consists of fourteen 5-screw, snap-type terminal blocks and fourteen 25-pin, D-type connectors (one terminal block and one DB-25 connector per card).

Modems with X.21 or V.35 interface require an external mechanical adapter. CIA/X.21/1 or CIA/V.35 can be ordered for converting the chassis DB-25 connector to one X.21 15-pin connector or one V.35 34-pin connector, respectively.

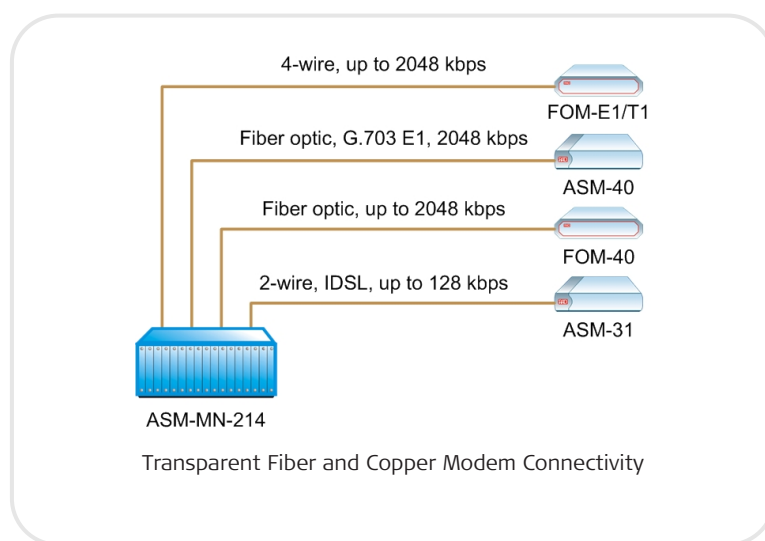


Table 1. Modem/Converter Cards for ASM-MN-214

Module Type	Module Name	Main Features
Synchronous Short Range Modems	ASM-40/R	2048 kbps
	FOM-E1/T1/R	E1/T1 fiber optic
	FOM-40/R	2048 kbps, fiber optic
Sync/Async Short Range Modems	ASM-10/8/R	19.2 kbps
	FOM-20/R	19.2-256 kbps, fiber optic
Fractional CSU/DSU	FCD-2L/R	E1, LTU/DSU
Rate and Interface Converters	SPD-703-1/R	64 kbps, codirectional
	RIC-E1/R, RIC -T1/R	E1/T1

Note: See specific data sheets for details on each card.

ASM-MN-214

Chassis for Short Range Modems

Specifications

Number of Slots

14 slots for cards

Power

115 or 230 VAC ($\pm 10\%$), 100W

47-63 Hz

48 VDC, 150W, 42-64 VDC

24 VDC, 150W, 18-32 VDC

Connectors

Line: 14 5-screw, snap-type terminal blocks

DTE: 14 25-pin, D-type female connectors

Physical

Height: 18.0 cm (7.0 in) (4U)

Width: 48.2 cm (19.0 in)

Depth: 26.7 cm (10.4 in)

Weight: 3.6 kg (7.9 lb) (chassis only)

Environment

Temperature: 0°-50°C (32°-122°F)

Humidity: up to 90%, non-condensing

Ordering

ASM-MN-214/#/*/&

Legend

Main power supply:

115 115 VAC

230 230 VAC

48 48 VDC

24 24 VDC

* Redundant power supply:

115 115 VAC

230 230 VAC

48 48 VDC

24 24 VDC

& Line connector:
(Default = terminal block)

RJ RJ-45

BNC A pair of BNC

ASM-214-PS/*

Additional (redundant) power supply

SUPPLIED ACCESSORIES

AC power cord (with AC power supply only)

DC adapter plug (with DC power supply only)

OPTIONAL ACCESSORIES

CIA/+

Mechanical adapter converting DB-25 connectors into standard connectors

Legend

+ CIA connector type:

X21/1 D-type, 15-pin connector for single modem card

V35 34-pin connector for single modem card

ASM-MN-214-BP

Blank panel for ASM-MN-214

International Headquarters

24 Raoul Wallenberg Street
Tel Aviv 69719, Israel
Tel. 972-3-6458181
Fax 972-3-6498250, 6474436
E-mail market@rad.com



12 avenue des prés
78059 St Quentin en Yvelines

Tel: 33 (0)1 77 55 03 00

Fax: 33 (0)1 30 44 11 95

E-mail: sales@cbnetworks.fr



data communications

The Access Company