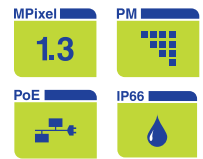


FD28

Mini IP fixed dome camera

Features

- 1/3.8" progressive scan CMOS, 1.3 megapixel imager
- Fixed 3.6mm lens
- Dual stream MPEG-4 and MJPEG video
- Backlight compensation
- Flickerless
- Auto Exposure
- Compact Surface mount design
- Ruggedized Construction
- IP66 Ingress Protection
- Vibration Rated to EN50155
- 802.3af PoE



Description

The Siqura® FD28 is a mini IP fixed dome camera in an impact resistant ruggedized dome housing with an integrated lens providing high resolution pictures. It is specially designed for outdoor and mobile applications that require a vibration-rated, IP66 ruggedized and tamper-resistant solution.

Clear and detailed pictures

The 1.3 Megapixel light-sensitive image chip ensures clear and detailed pictures. Together with high frame rates, the pictures give realistic footage for later examination and proof.

Easy to install

The compact size and Power over Ethernet (PoE) feature make the FD28 easy to install even in small spaces.

Privacy masks

Privacy masks cover sections of the image. This feature is often requested for such situations as city center surveillance and point of sale keypads.

Tamper alarm

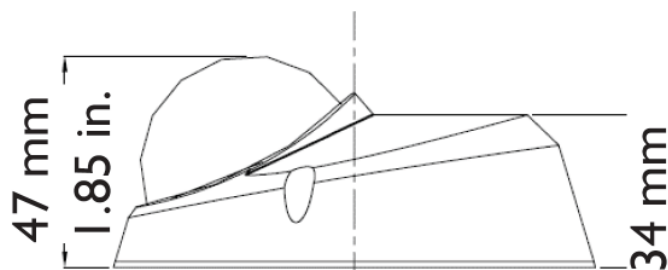
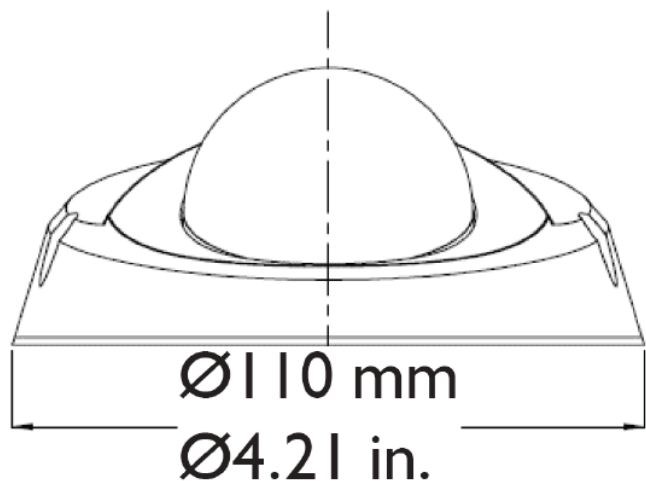
Covering or moving the camera will trigger an alarm. The camera can be configured to send pre and/or post alarm snapshots to an email or FTP server.

Ordering Information

Model	Description
FD28 /EU	Mini IP fixed dome camera, 1.3 megapixel, 50 Hz
FD28 /US	Mini IP fixed dome camera, 1.3 megapixel, 60 Hz

FD28
Technical specifications

Mini IP fixed dome camera



Camera

Image sensor	1/3.8" CMOS	
Progressive scan	Yes	
Video output (simultaneous)	MJPEG 15fps@1.3MP/MPEG-4 15fps@VGA MJPEG 30fps@VGA/MPEG-4 30fps@VGA	
Resolution	NTSC	PAL
1.3MPix (MJPEG)	1280x960	1280x960
VGA	640x480	640x480
QVGA	320x240	320x240
CIF	352x240	352x288
QCIF	176x120	176x144
Minimum illumination	1 lux @ F2.0	
Shutter speed	1.5~1/10000 s.	
Lens type	Fixed lens	
Max aperture	F2.0	
Lens focal length (angle of view)	3.6 mm (96°)	

Image Control

Brightness	Manual
Exposure	Auto/Manual
Sharpness	Manual
Contrast	Manual
White balance	Auto/Manual/Indoor/Outdoor
Rotation	Flip, Mirror and 180° Rotate
Digital zoom	6x

Functions

Motion detection	On/ Off
Privacy masks	2
Tamper alarm	On/ Off

Network

Interface	10/100 Ethernet (RJ45)
Protocol	TCP/IP, UDP, RTP, RTSP, HTTP, ICMP, FTP, SMTP, DHCP, and IGMP
Password levels	User and administrator
Internet browser	Internet Explorer (6.0+)
User account	20

Mechanical

Dimension (h x w x d)	Ø110 x 47 mm (Ø4.21 x 1.85 in.)
Mount	Surface mount
Weight	200g (7.03 oz.)
Color	RAL-9003 (Signal White)
Bubble	Clear polycarbonate
Cover	Polycarbonate/ABS blend
Impact rating	IK10
Vibration	EN50155

Environmental

Operating Temperature	0° C to +50° C (+32° F to +122° F)
-----------------------	------------------------------------

Powering

Power consumption	Class 1
Power	Power over Ethernet
Power connector	RJ45 on 18" (46cm) harness



The quality management system utilized in the development, production, sales and support of this product is ISO 9001:2008 certified by LRQA.

© Optelecom-NKF Version: Mayy 2010 V1 (First Edition) – Subject to modification